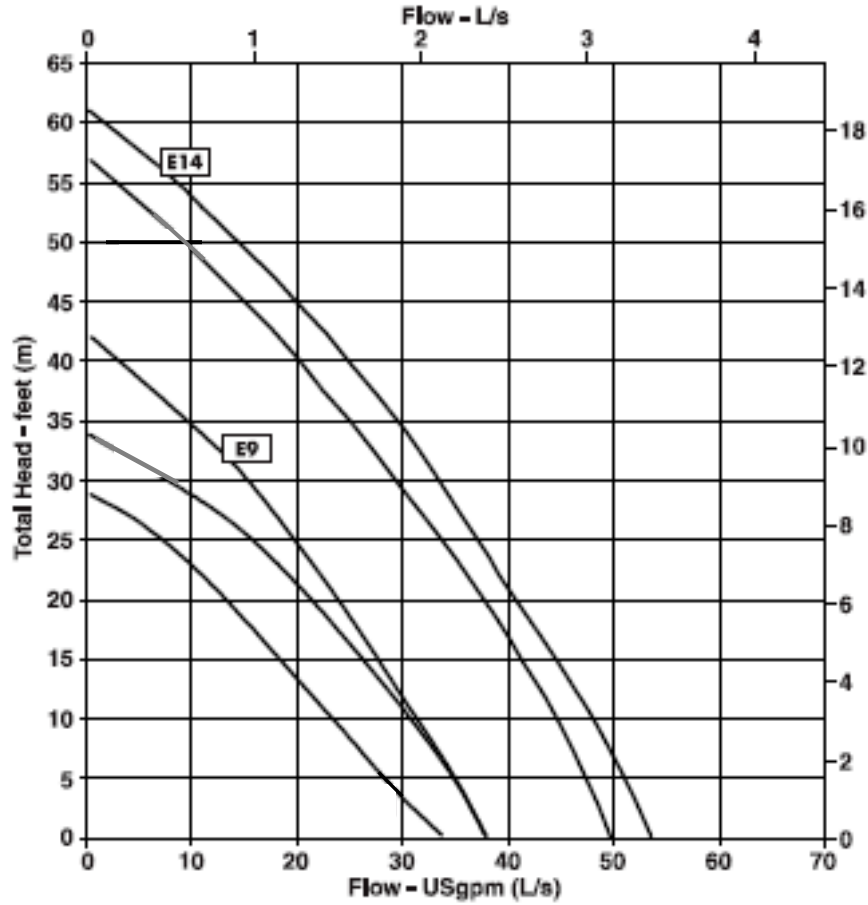


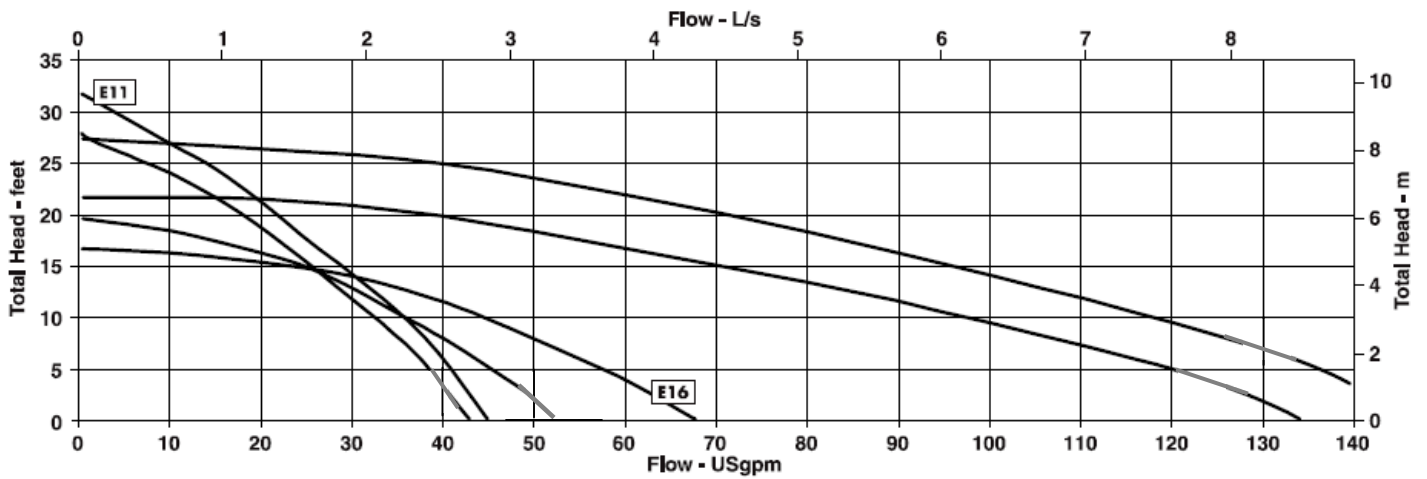
ARMflo E Series Circulators

COMPOSITE PERFORMANCE CURVES

Medium-High Head, Moderate Flow



Medium Head, Moderate-High Flow



ARMflo E Series Circulators - Models E9/E9B

SUBMITTAL

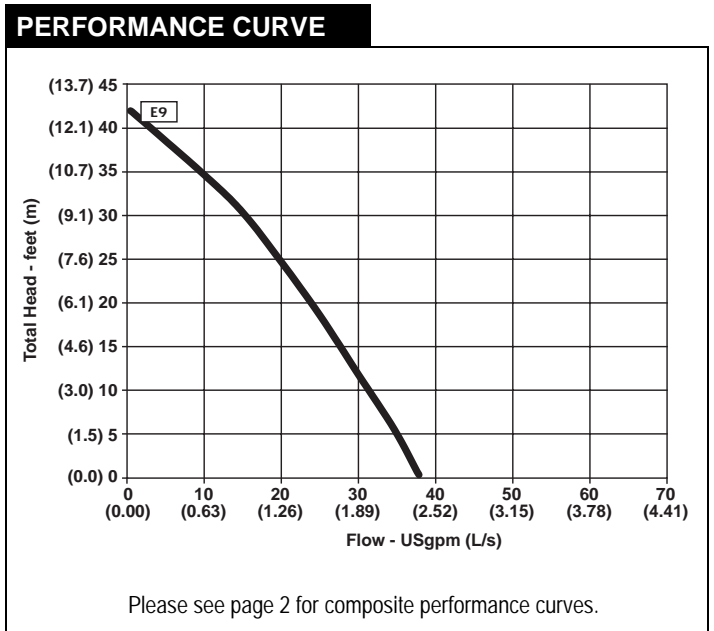
JOB: _____	REPRESENTATIVE: _____
ENGINEER: _____	ORDER NO: _____ DATE: _____
CONTRACTOR: _____	SUBMITTED BY: _____ DATE: _____
	APPROVED BY: _____ DATE: _____

Quantity	TAG No.	Model No.	Flow (USgpm)	Head (feet)	Voltage	Phase	Comments

TECHNICAL DATA	
Flow Range	0 to 38.0 USgpm (0 to 2.4 L/s)
Head Range	0 to 42.4 feet (0 to 12.9 m)
Max. Fluid Temperature	230°F (110°C)
Max. Working Pressure	150 psi (1034 kPa)

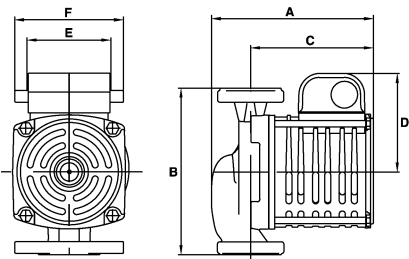
MOTOR DATA			
Nominal Power	1/6 hp (125 W)		
Voltage	120 V	208 V	240 V
Full Load Amp Draw	2.0 A	1.0 A	1.0 A
Frequency	60 Hz		
Motor Type	2 pole, Single Phase		
Speed	3250 rpm		

MATERIALS OF CONSTRUCTION	
Pump Body	Cast Iron (closed systems) or Bronze (open systems)
Face Plate	Stainless Steel
Impeller	30% Glass-filled Noryl
Shaft	Stainless Steel
Bearings	Permanently lubricated Stainless Steel
Gasket	EPDM
Seal	Silicon Carbide <i>EnviroSeal</i>

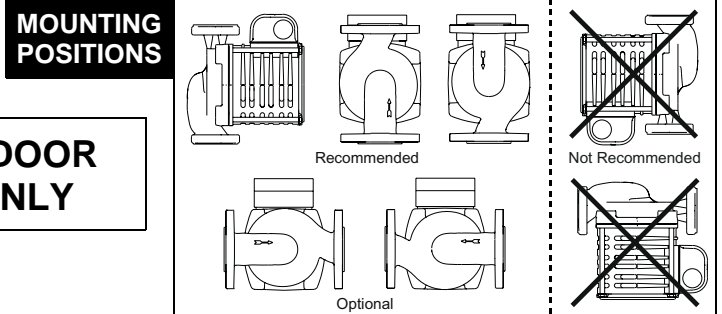


DIMENSIONS and WEIGHTS									
Model	Body	A	B	C	D	E	F	Connection Type & Size	Shipping Weight
ARMflo E9	Cast Iron	6.4 (164)	6.4 (164)	4.8 (122)	3.8 (97)	3.2 (81)	4.2 (107)	1.25" Diameter 2-bolt flanges	11.5 (5.2)
ARMflo E9B	Bronze	6.4 (164)	6.4 (164)	4.8 (122)	3.8 (97)	3.2 (81)	4.2 (107)	1.25" Diameter 2-bolt flanges	12.8 (5.8)

Note: All dimensions are in inches (mm) and weights in lbs (kg)



FOR INDOOR USE ONLY



ARMflo E Series Circulators - Models E11/E11B

SUBMITTAL

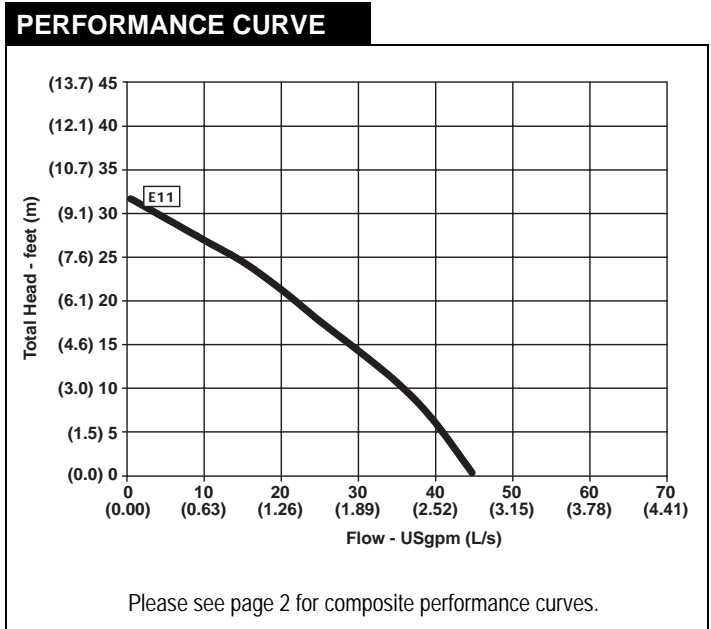
JOB: _____	REPRESENTATIVE: _____
ENGINEER: _____	ORDER NO: _____ DATE: _____
CONTRACTOR: _____	SUBMITTED BY: _____ DATE: _____
	APPROVED BY: _____ DATE: _____

Quantity	TAG No.	Model No.	Flow (USgpm)	Head (feet)	Voltage	Phase	Comments

TECHNICAL DATA	
Flow Range	0 to 45.0 USgpm (0 to 2.8 L/s)
Head Range	0 to 31.9 feet (0 to 9.7 m)
Max. Fluid Temperature	230°F (110°C)
Max. Working Pressure	150 psi (1034 kPa)

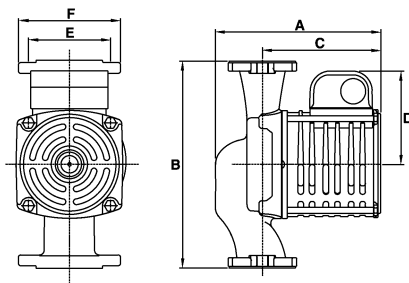
MOTOR DATA	
Nominal Power	1/6 hp (125 W)
Voltage	120 V 240 V
Full Load Amp Draw	2.0 A 1.0 A
Frequency	60 Hz
Motor Type	2 pole, Single Phase
Speed	3300 rpm

MATERIALS OF CONSTRUCTION	
Pump Body	Cast Iron (closed systems) or Bronze (open systems)
Face Plate	Stainless Steel
Impeller	30% Glass-filled Noryl
Shaft	Stainless Steel
Bearings	Permanently lubricated Stainless Steel
Gasket	EPDM
Seal	Silicon Carbide <i>EnviroSeal</i>



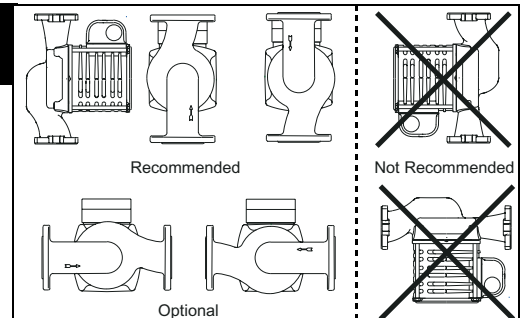
DIMENSIONS and WEIGHTS									
Model	Body	A	B	C	D	E	F	Connection Type & Size	Shipping Weight
ARMflo E11	Cast Iron	6.8 (174)	8.5 (215)	4.9 (125)	3.8 (97)	3.4 (86)	4.2 (107)	1.5" Diameter 2-bolt flanges	13.0 (5.9)
ARMflo E11B	Bronze	6.8 (174)	8.5 (215)	4.9 (125)	3.8 (97)	3.4 (86)	4.2 (107)	1.5" Diameter 2-bolt flanges	14.8 (6.7)

Note: All dimensions are in inches (mm) and weights in lbs (kg)



FOR INDOOR USE ONLY

MOUNTING POSITIONS



ARMflo E Series Circulators - Models E14/E14B

SUBMITTAL

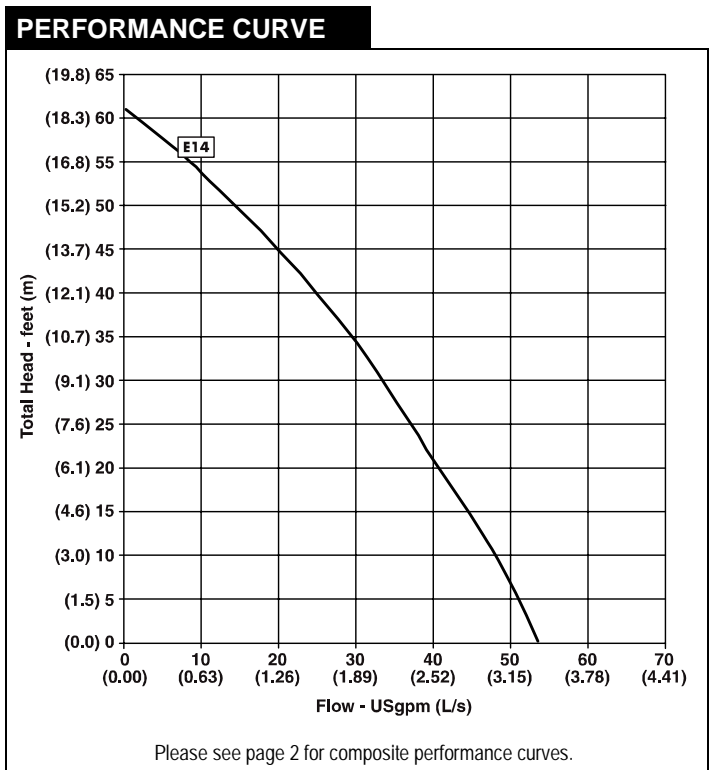
JOB: _____	REPRESENTATIVE: _____
ENGINEER: _____	ORDER NO: _____ DATE: _____
CONTRACTOR: _____	SUBMITTED BY: _____ DATE: _____
	APPROVED BY: _____ DATE: _____

Quantity	TAG No.	Model No.	Flow (USgpm)	Head (feet)	Voltage	Phase	Comments

TECHNICAL DATA	
Flow Range	0 to 52.0 USgpm (0 to 3.3 L/s)
Head Range	0 to 61.0 feet (0 to 18.6 m)
Max. Fluid Temperature	230°F (110°C)
Max. Working Pressure	150 psi (1034 kPa)

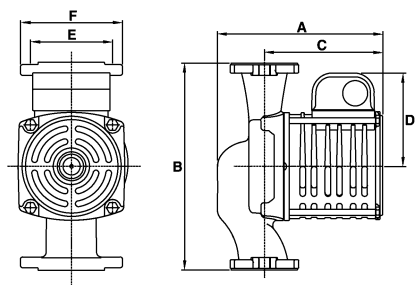
MOTOR DATA	
Nominal Power	2/5 hp (300 W)
Voltage	120 V
Full Load Amp Draw	4.8 A
Frequency	60 Hz
Motor Type	2 pole, Single Phase
Speed	3300 rpm

MATERIALS OF CONSTRUCTION	
Pump Body	Cast Iron (closed systems) or Bronze (open systems)
Face Plate	Stainless Steel
Impeller	30% Glass-filled Noryl
Shaft	Stainless Steel
Bearings	Permanently lubricated Stainless Steel
Gasket	EPDM
Seal	Silicon Carbide <i>EnviroSeal</i>



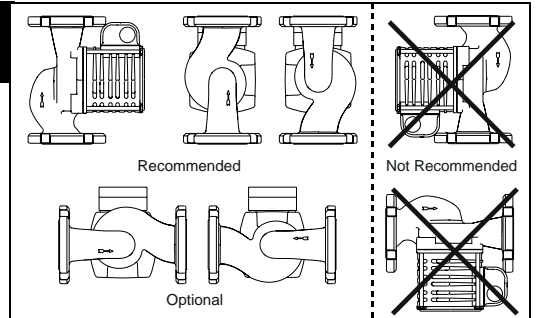
DIMENSIONS and WEIGHTS									
Model	Body	A	B	C	D	E	F	Connection Type & Size	Shipping Weight
ARMflo E14	Cast Iron	8.6 (218)	6.4 (164)	7.1 (180)	4.0 (101)	3.2 (81)	4.2 (107)	1.25" diameter 2-bolt flanges	17.1 (7.8)
ARMflo E14B	Bronze	8.6 (218)	6.4 (164)	7.1 (180)	4.0 (101)	3.2 (81)	4.2 (107)	1.25" diameter 2-bolt flanges	17.9 (8.1)

Note: All dimensions are in inches (mm) and weights in lbs (kg)



MOUNTING POSITIONS

FOR INDOOR USE ONLY



ARMflo E Series Circulators - Models E16/E16B

SUBMITTAL

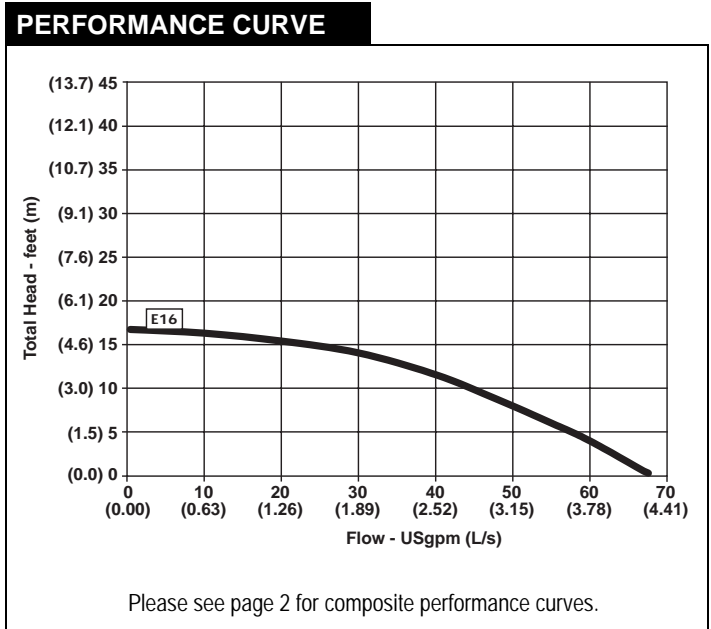
JOB: _____	REPRESENTATIVE: _____
ENGINEER: _____	ORDER NO: _____ DATE: _____
CONTRACTOR: _____	SUBMITTED BY: _____ DATE: _____
	APPROVED BY: _____ DATE: _____

Quantity	TAG No.	Model No.	Flow (USgpm)	Head (feet)	Voltage	Phase	Comments

TECHNICAL DATA	
Flow Range	0 to 68.0 USgpm (0 to 4.3 L/s)
Head Range	0 to 16.8 feet (0 to 5.1 m)
Max. Fluid Temperature	230°F (110°C)
Max. Working Pressure	150 psi (1034 kPa)

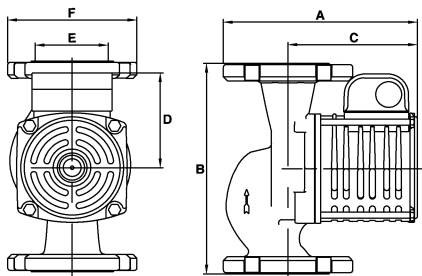
MOTOR DATA	
Nominal Power	1/6 hp (125 W)
Voltage	120 V 240 V
Full Load Amp Draw	2.0 A 1.0 A
Frequency	60 Hz
Motor Type	2 pole, Single Phase
Speed	3400 rpm

MATERIALS OF CONSTRUCTION	
Pump Body	Cast Iron (closed systems) or Bronze (open systems)
Face Plate	Stainless Steel
Impeller	30% Glass-filled Noryl
Shaft	Stainless Steel
Bearings	Permanently lubricated Stainless Steel
Gasket	EPDM
Seal	Silicon Carbide <i>EnviroSeal</i>



DIMENSIONS and WEIGHTS									
Model	Body	A	B	C	D	E	F	Connection Type & Size	Shipping Weight
ARMflo E16	Cast Iron	7.7 (195)	8.5 (215)	5.1 (130)	3.8 (97)	2.9 (73)	5.2 (131)	2" Diameter 4-bolt flanges	18.6 (8.4)
ARMflo E16B	Bronze	7.7 (195)	8.5 (215)	5.1 (130)	3.8 (97)	2.9 (73)	5.2 (131)	2" Diameter 4-bolt flanges	20.7 (9.4)

Note: All dimensions are in inches (mm) and weights in lbs (kg)



FOR INDOOR USE ONLY

MOUNTING POSITIONS

