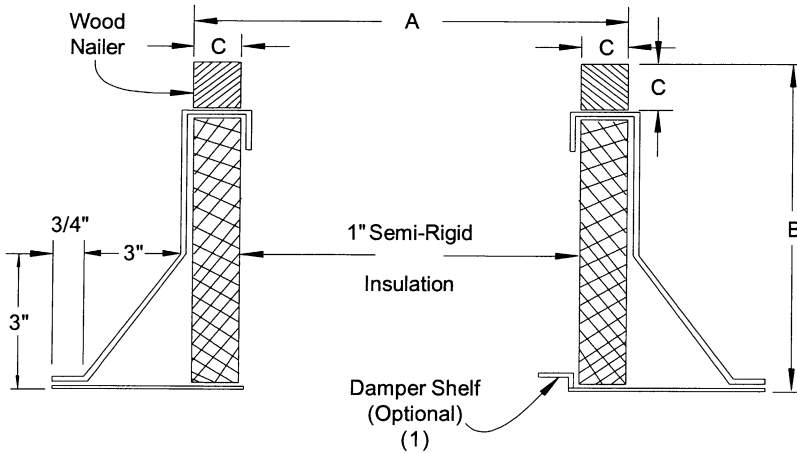


INSULATED CANTED ROOF CURB - Submittal Data (Non-Propeller Products)



"B" Curb Height - 8" STD

"C" Wood Nailer - 1 1/2" Sq

OPTIONS:

1. Damper Shelf.
2. Insulation retainers - solid or screen type.
3. Burglar bars - 1/2" dia. on 6" centers.
4. Finishes - baked or air-dried enamel or epoxy.
5. Heights: 8, 12, 16, 18, 20, 24" or special heights.
6. Single pitch or double pitch.
7. Aluminum construction.
8. Standard curb is "RF" roof over type. ("SF" available upon request)

FAN SIZE	"A" O.D. (Square) CURB / RF TYPE									
	RED LPD	NBTD NBRTD	ARE ARS	DB	TXB	TXD	LO-SET LPS & LPX *	CSF	LPT	RCXII
6	14 3/4	-	-	15	14 3/4	14 3/4	-	-	-	-
8	14 3/4	-	-	15	14 3/4	14 3/4	14 3/4	-	14 3/4 x 36 3/4	14 3/4
9	-	-	-	15	-	-	-	-	-	-
10	14 3/4	-	18 1/2	-	14 3/4	14 3/4	14 3/4	27 1/2	14 3/4 x 36 3/4	-
11	-	-	-	22 1/4	-	-	-	-	-	-
12	22 1/4	-	22 1/2	22 1/4	22 1/4	22 1/4	22 1/4	27 1/2	22 1/4 x 48 1/4	22 1/4
13	-	18 1/2	-	-	-	-	-	-	-	-
14	-	18 1/2	-	22 1/4	-	-	-	-	-	-
15	22 1/4	-	-	-	22 1/4	22 1/4	22 1/4	30 1/2	22 1/4 x 48 1/4	22 1/4
16	-	-	26 1/2	22 1/4	-	-	-	-	-	-
17	-	22 1/2	-	-	27 3/4	-	-	-	-	-
18	-	22 1/2	-	27 3/4	27 3/4	-	27 3/4	34 5/8	27 3/4 x 59 3/4	27 3/4
20	-	-	30 1/4	27 3/4	-	-	-	49	-	27 3/4
24	-	28 1/2	34 1/2	33 3/4	33 3/4	-	33 3/4	-	33 3/4 x 74 3/4	33 3/4
26	-	-	-	-	-	-	-	-	-	33 3/4
30	-	34 1/2	-	40 3/4	40 3/4	-	40 3/4	-	40 3/4 x 88 3/4	40 3/4
33	-	-	-	-	-	-	-	-	-	40 3/4
36	-	40	-	40 3/4	40 3/4	-	40 3/4	-	40 3/4 x 88 3/4	40 3/4
42	-	48 1/2	-	53 1/4	53 1/4	-	53 1/4	-	53 1/4 x 120 1/4	-
48	-	48 1/2	-	53 1/4	53 1/4	-	53 1/4	-	53 1/4 x 120 1/4	-

1. Damper shelf opening to be 1" less than damper size. Shelf must be specified if required.
2. All curbs are 18 gauge G-90 galvanized steel with continuous seams.
3. Curb extensions - add 1" to "A" dimension.

* Lo-Set does not have sizes 6, 8 & 10

ROOFOPENING

Curb O.D. (A Dimension) Less 3.25 inches

ACCESSORY ITEMS	1	2	3	4	5	ACCESSORY ITEMS	1	2	3	4	5
<input type="checkbox"/>						<input type="checkbox"/>					
<input type="checkbox"/>						<input type="checkbox"/>					
<input type="checkbox"/>						<input type="checkbox"/>					
<input type="checkbox"/>						<input type="checkbox"/>					
<input type="checkbox"/>						<input type="checkbox"/>					

STANDARD FEATURES

Constructed of 18 ga. Galv. Steel with continuous welded seams and integral base plate for water tightness and extra strength.

Wide base flashing to insure adequate bond to roofing surface for water tight seal to roof.

Lined with 1 1/2" fiberglass fire proof sound attenuating thermal insulation.

Top of curb covered with 1/4" polystyrene gasket for weather seal and to reduce metal to metal conducted noise.

PROJECT	
LOCATION	
ARCHITECT	
ENGINEER	
CONTRACTOR	
SUBMITTED BY	
DATE	P.O. Number

OPTIONS

Construction of .063" aluminum.

Interior metal liner.

Standard heights of 12, 14, 16, 18, 20, 24", or any special height.

Damper shelf - standard or custom size opening.

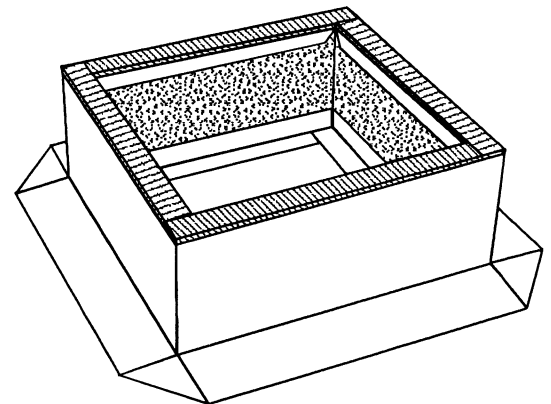
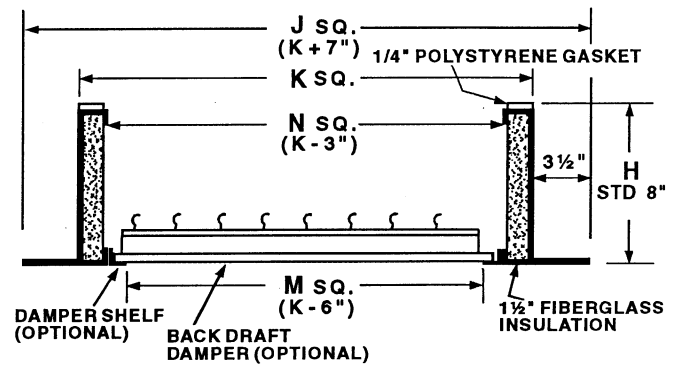
Wide flange (6" or 8" wide).

Back draft damper.

Damper motor, 120 or 240.

Protective or decorative coatings.

Heavy-gage construction



SPECIFICATIONS AND DIMENSIONS

REFERENCE	QUAN.	GALV. Or AL.	K	N	M	H	OPTIONS



Breidert Air Products

Special Restaurant Curbs Roof-Over-Flashing Type Type RFR

STANDARD FEATURES

Constructed of 18 ga. galv. steel with continuous welded seams and integral base plate for water tightness and extra strength.

Large 3" built-in 45° cant to accommodate roofing to top of curb. Welded corners have beveled cants for better lay of materials at corners.

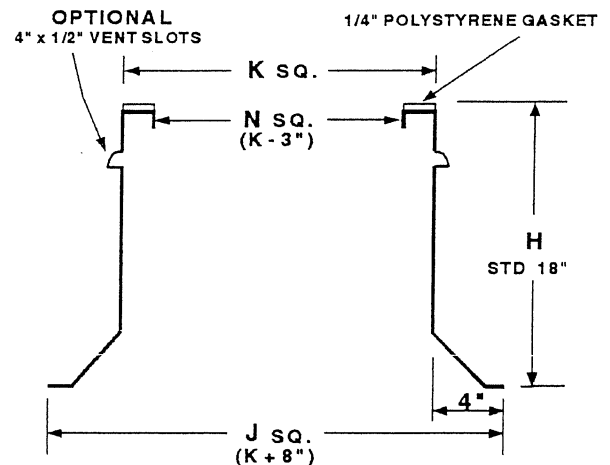
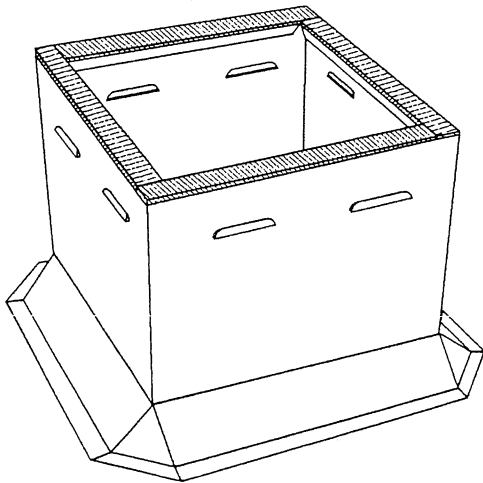
Insulation not furnished when curb is equipped with special ventilation slots.

Top ledge covered with 1/4" polystyrene gasket for weather seal and to reduce metal to metal conducted noise.

Minimum curb height is 18" to comply with NFPA Bulletin 96.

OPTIONS

- Constructed of .063" aluminum.
- Interior metal liner.
- 1 1/2" glass fiber insulation (not available if sides vented).
- Optional 4" x 1/2" vent louvers – 1 to 4 sides.
- Any height.
- Raised cant 1 1/2" to 4".
- Protective or decorative coatings.
- Heavy-gage construction.



PROJECT	
LOCATION	
ARCHITECT	
ENGINEER	
CONTRACTOR	
SUBMITTED BY	
DATE	P.O. NO.

SPECIFICATIONS AND DIMENSIONS

REFERENCE	QUAN.	GALV. or AL.	K	N	H	OPTIONS

CURB CAP ADAPTOR

Spun Products ONLY
 (+ or - 4 inches)
 Square ONLY - NO Rectangles

STANDARD FEATURES

Heavy Gauge aluminum construction with continuous welded seams for water tightness and extra strength

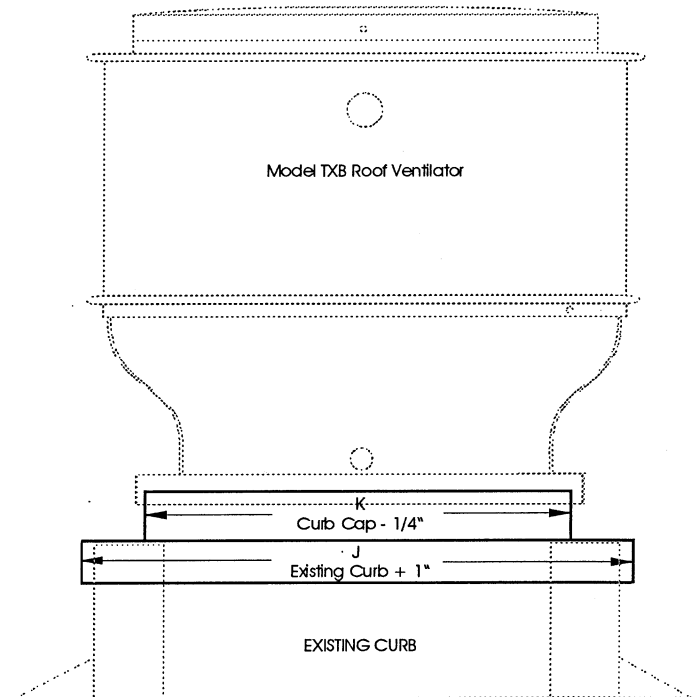
K - MEASUREMENT

1/4" LESS THAN FAN BASE

J - MEASUREMENT

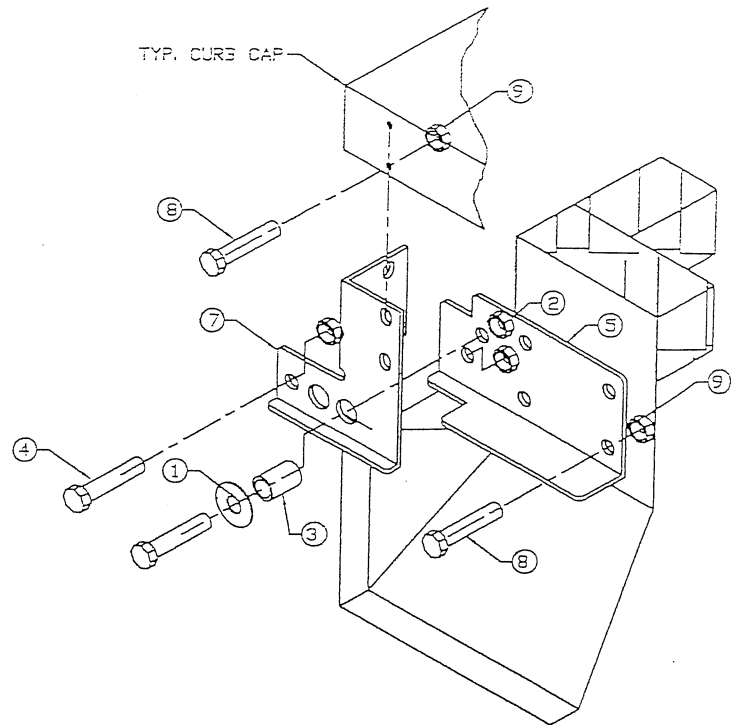
1" LARGER THAN EXISTING CURB O.D.

PROJECT	
LOCATION	
ARCHITECT	
ENGINEER	
CONTRACTOR	
SUBMITTED BY	
DATE	P.O. Number



SPECIFICATIONS AND DIMENSIONS				
REFERENCE	QUAN.	K	J	OPTIONS

CURB HINGE ACCESSORY



ITEM#	PART #	DESCRIPTION	QTY	ITEM#	PART #	DESCRIPTION	QTY
1	92316010	3/8" Flat Washer	2	6	90005801	Hinge Bracket Left Half*	1
2	92416610	3/8-16 Loknut	4	7	90005101	Curb Hinge Bracket Right	1
3	603656	3/8 x 1-1/4" Long Spacer	2	8	636002	5/16 -18 x 3/4 Hex Bolt	16
4	62469410	3/8-16 x 2" Long Bolt	4	9	634027	5/16-18 Flange Nut	16
5	90005701	Hinge Bracket Right Half	1	10	90005201	Curb Hinge Bracket Left*	1

*Items on opposite side, not shown

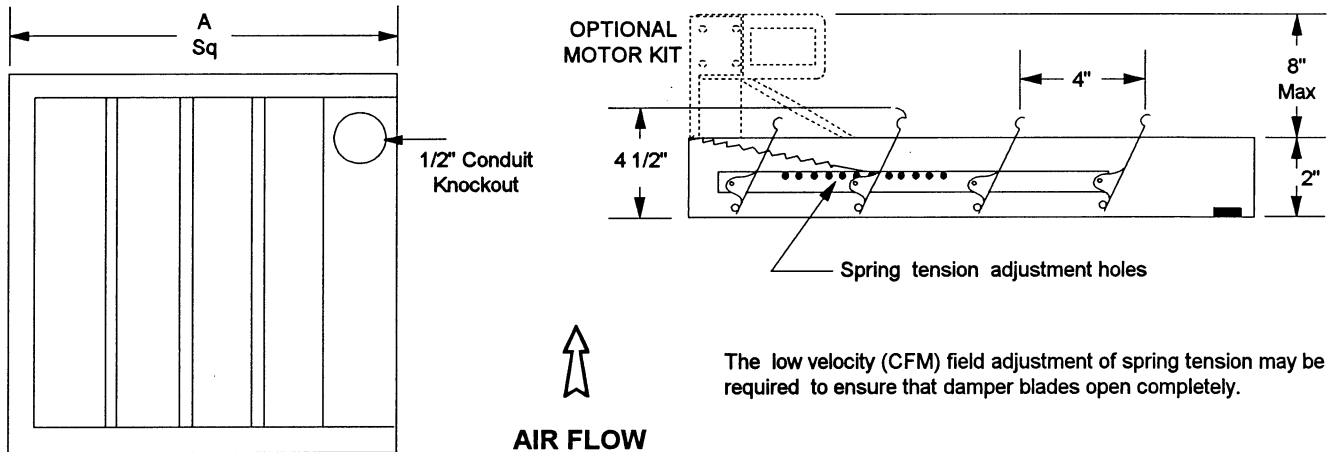
Note: Curb cap needs to be 1/2" minimum larger than the roof curb or roof curb adaptor to allow for bolt head clearance and curb cap tilting around the roof curb or roof curb adaptor.

1. With fan in place on roof curb, locate the hinge cap on both end, mark the holes for 5/16" diameter bolts, drill (8) 11/32" diameter holes at the marked locations.
2. Attach the hinge cap (items 6 & 7) to curb cap or fan using (8) 5/16" bolts & flanged nuts, locate bolt head on the inside of the curb cap.
3. With unit in place on roof curb, align curb hinge on roof curb or curb cap adaptor as shown and mark the (8) locations in the roof curb or curb adapter**.
4. Drill (8) 11/32" diameter holes in previously marked hole locations.
5. Attach curb hinge to roof curb using (8) 5/16" diameter bolts.
6. You can now tilt the fan open about 60°, use the 3/8" bolt to lock the fan in place and prevent it from tipping or slamming shut.
7. Remove the locking bolt when closing back the fan in place, store the bolt next to the fan for future openings or locks.

CAUTION: Make sure to remove grease box (if applicable) when tilting the fan to prevent any spillage.

** Two hinge pivot holes are provided in the curb hinge to allow the curb hinge to be mounted higher or lower on the roof curb as required.

BACKDRAFT DAMPERS FOR ROOF MOUNTED CENTRIFUGAL EXHAUST FANS - SUBMITTAL DATA



CAUTION: Motor kits are not suitable for use in explosive or flammable areas or airflows

Fan Size	CENTRIFUGAL ROOF FANS				LPT (2) dampers required
	RED	NBTD	ARE	DB, TXB, LPX, LPS LO-SET	
	"A" SQ	"A" SQ	"A" SQ	"A" SQ	"A" SQ (Ea)
6	11	-	-	11	-
7	-	-	-	-	-
8	11	-	-	11	11
9	-	-	-	11	-
10	11	-	14	11	11
11/12	18	-	18	18	18
13/14	-	14	-	18	-
15	18	-	-	18	18
16	-	-	22	18	-
17/18	-	18	-	24	24
20	-	-	26	24	-
24	-	24	-	30	30
30	-	30	-	36	36
36	-	36	-	36	42
42	-	-	-	48	48
48	-	44	-	48	48

STANDARD SPECIFICATIONS:

- Maximum Face Velocity:** 1000 FPM
- Dimensions:** See sizing chart
- "A" Dimension** is square damper size.
- Frame:** 19 Ga galvanized steel.
- Blades:** 26 gauge aluminum
- Blade pivots:** Stainless steel rivet at all pivot points.
- Seals:** Felt between adjacent blades
- Counter Balance:** Adjustable spring tension
- Finish:** Mill.
- Max Temp:** Damper 250°F
Motor 130°F

NOTES:

- (1) Units are undersized 1/4" to fit in square ducts.
- (2) Do not mount fan less than 1/3 diameter of the fan from the damper.
- (3) Dampers shipped in individual cartons.
- (4) Motor kits ship loose for field installation.

ACCESSORY ITEMS	1	2	3	4	5	ACCESSORY ITEM	1	2	3	4	5
<input type="checkbox"/>						<input type="checkbox"/>					
<input type="checkbox"/>						<input type="checkbox"/>					
<input type="checkbox"/>						<input type="checkbox"/>					
<input type="checkbox"/>						<input type="checkbox"/>					
<input type="checkbox"/>						<input type="checkbox"/>					

Project: _____	Submitted: _____
Customer: _____	Approved: _____
Location: _____	