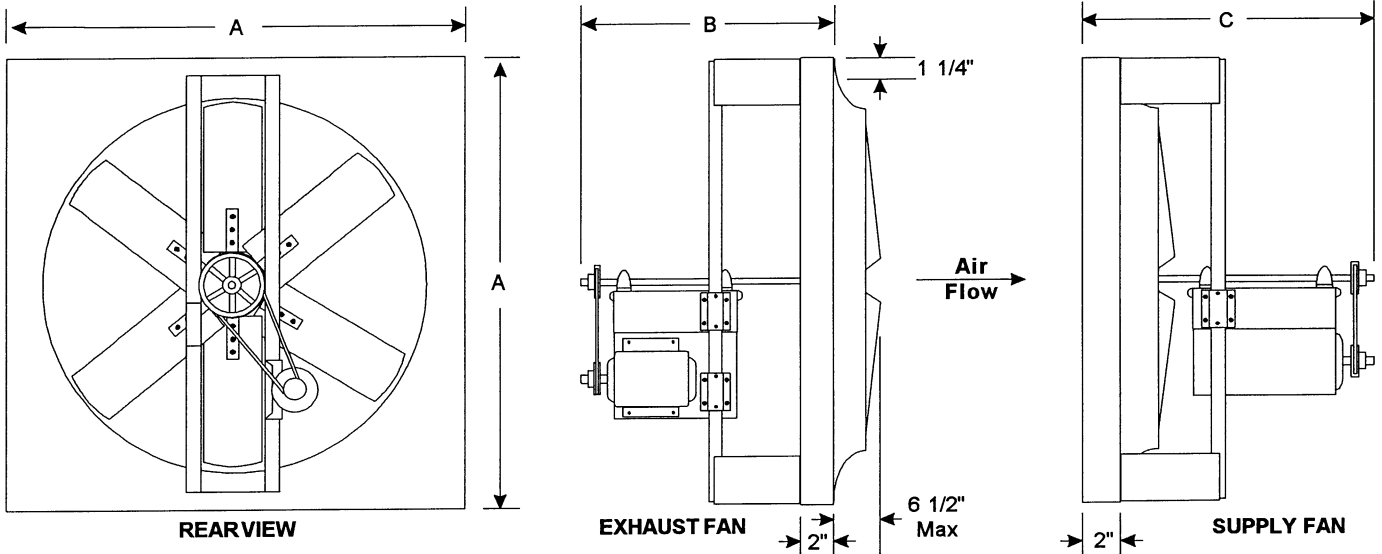




SIDEWALL PROPELLER FAN - BELT DRIVE MODEL L2E - EXHAUST L2S - SUPPLY LEVEL 2 CONSTRUCTION - SUBMITTAL DATA



FAN SIZE	A SQ. O.D. PANEL	B EXHAUST	C SUPPLY	APPROX WT.	MAX MOTOR	MATERIAL GA. OR THICKNESS									
						SHAFT	PANEL		SUPPORT FRAME		BLADE		HUB	PIPE FRAME	
							Galv	Alum	Galv	Alum	Galv	Alum			
24	30	22	26	120	145T	1 1 3/16	18 16 14	.08 .100	14 10	1/4	16	.08	1/4	1/4	1 1/4" OD SCHED. 40
30	36	22	26	180	182T										
36	42	22	26	215	184T										
42	48	22	26	235	184T										
48	54	22	26	300	184T										
54	60	22	26	400	184T										
60	66	24	28	490	184T										

CONSTRUCTION AND MATERIAL SPECIFICATION - LEVEL 2

Fan panel, motor & bearing mounts - all welded G90 galvanized.
Pipe support frame - Welded 1 1/4" OD schedule 40 galvanized pipe.
Fan Blades - G90 galvanized (multiple laminations), bolted to hub.
Hub - Heavy duty welded steel, epoxy coated, keyed to shaft.
Bearings - Air handling, self aligning, cast iron pillow block with grease fittings, L50 = 200,000 hours average life.

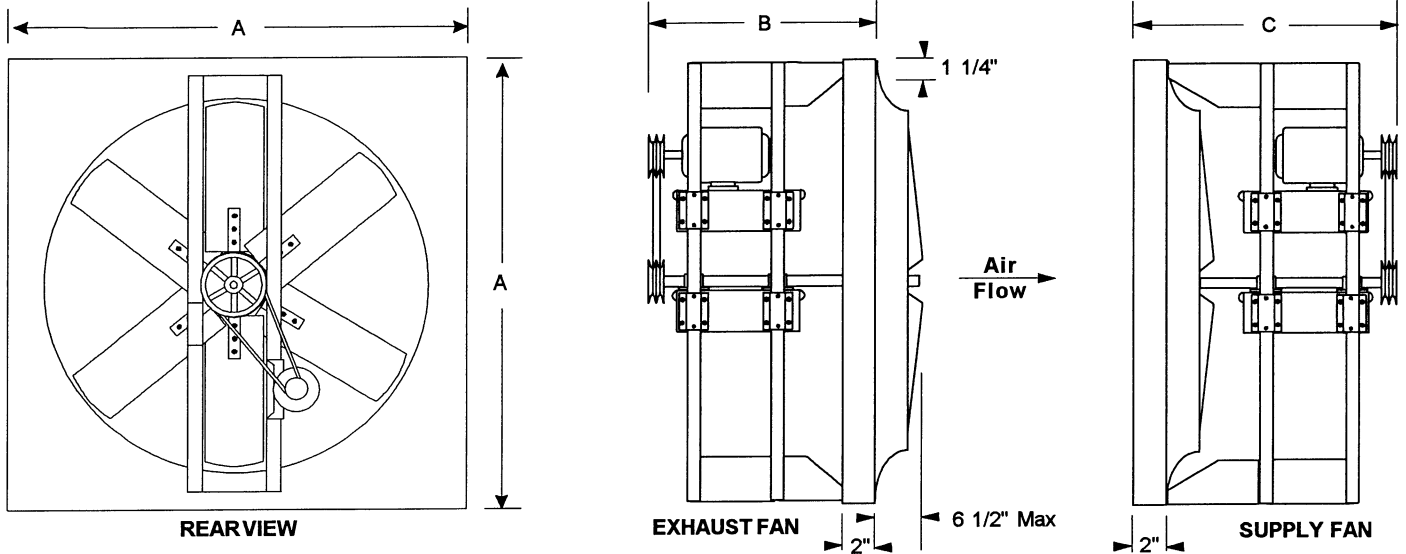
Shaft - Turned, ground and polished, keyed to propeller hub and sheave.
Drives - Cast iron, 150% S.F., single groove and adjustable thru 3HP, keyed to motor and fan shaft.
Belts - Non-static conducting, oil resistant, single groove thru 3HP.

FAN SPECIFICATIONS									MOTOR SPECIFICATIONS				
Line	Qty	Model No	Tag	CFM	SP	Fan RPM	BHP	Sones	HP	Volts	Phase	Hertz	Encl
1													
2													
3													
4													
5													

ACCESSORY ITEMS					ACCESSORY ITEMS				
1	2	3	4	5	1	2	3	4	5
<input type="checkbox"/>				<input type="checkbox"/>					
<input type="checkbox"/>				<input type="checkbox"/>					
<input type="checkbox"/>				<input type="checkbox"/>					
<input type="checkbox"/>				<input type="checkbox"/>					
<input type="checkbox"/>				<input type="checkbox"/>					



SIDEWALL PROPELLER FAN - BELT DRIVE MODEL L3E - EXHAUST L3S - SUPPLY LEVEL 3 CONSTRUCTION - SUBMITTAL DATA



FAN SIZE	A SQ. O.D. PANEL	B EXHAUST	C SUPPLY	APPROX WT.	MAX MOTOR	MATERIAL GA. OR THICKNESS								
						SHAFT	PANEL		SUPPORT FRAME		BLADE		HUB	PIPE FRAME
							Galv	Alum	Galv	Alum	Galv	Alum		
42	48	24	28	260	213T	1 7/16	16	.08	10	1/4	16	.08	3/8	1 1/4" OD SCHED. 40
48	54	24	28	330	215T									
54	60	24	28	500	254T	2 3/16	14	.100	10	1/4	16	.08	3/8	1 1/4" OD SCHED. 40
60	66	24	28	530	256T									
72	80	24	28	600	256T									

CONSTRUCTION AND MATERIAL SPECIFICATION - LEVEL 3

Fan panel, motor & bearing mounts - all welded G90 galvanized.
Pipe support frame - H.D. four post welded 1 1/4" OD schedule 40 galvanized pipe.
Fan Blades - G90 galvanized (multiple laminations), bolted to hub.
Hub - Heavy duty welded steel, epoxy coated, keyed to shaft.
Bearings - Air handling, self aligning, cast iron pillow block with grease fittings, L50 = 200,000 hours average life.

Shaft - Turned, ground and polished, keyed to propeller hub and sheave.
Drives - Cast iron, 150% S.F., single groove and adjustable thru 3HP, keyed to motor and fan shaft.
Belts - Non-static conducting, oil resistant, single groove thru 3HP.

FAN SPECIFICATIONS									MOTOR SPECIFICATIONS				
Line	Qty	Model No	Tag	CFM	SP	Fan RPM	BHP	Sones	HP	Volts	Phase	Hertz	Encl
1													
2													
3													
4													
5													

ACCESSORY ITEMS					ACCESSORY ITEMS				
1	2	3	4	5	1	2	3	4	5
<input type="checkbox"/>				<input type="checkbox"/>					
<input type="checkbox"/>				<input type="checkbox"/>					
<input type="checkbox"/>				<input type="checkbox"/>					
<input type="checkbox"/>				<input type="checkbox"/>					
<input type="checkbox"/>				<input type="checkbox"/>					