

## MODEL TXB - CENTRIFUGAL UPBLAST ROOF EXHAUSTER

| SIZE     | DIMENSIONS |        |        |        |       |        |        | AVG WT |
|----------|------------|--------|--------|--------|-------|--------|--------|--------|
|          | A          | B      | C      | D      | E     | F      | G      |        |
| 8        | 16 1/2     | 24     | 24     | 27     | 1 3/4 | 11 3/4 | 14 3/4 | 69     |
| 10       | 16 1/2     | 27     | 26     | 29     | 1 3/4 | 11 3/4 | 14 3/4 | 69     |
| 12/15/16 | 24         | 31 1/2 | 26     | 28 3/4 | 2 1/2 | 19 1/4 | 22 1/4 | 93     |
| 18/20    | 29 1/2     | 37 3/4 | 28 1/2 | 31 3/4 | 2 1/2 | 24 3/4 | 27 3/4 | 120    |
| 24       | 35 1/2     | 47 1/4 | 31 1/2 | 41     | 2 1/2 | 30 3/4 | 33 3/4 | 245    |
| 30       | 42 1/2     | 56 3/4 | 42 1/2 | 44     | 2 1/2 | 37 3/4 | 40 3/4 | 365    |
| 36       | 42 1/2     | 66     | 47 1/2 | 46     | 2 1/2 | 37 3/4 | 40 3/4 | 365    |
| 42       | 55         | 72 1/2 | 49 1/4 | 51 1/2 | 2 1/2 | 50 1/4 | 53 1/4 | 385    |
| 48       | 55         | 78 3/4 | 53     | 55     | 2 1/2 | 50 1/4 | 53 1/4 | 490    |

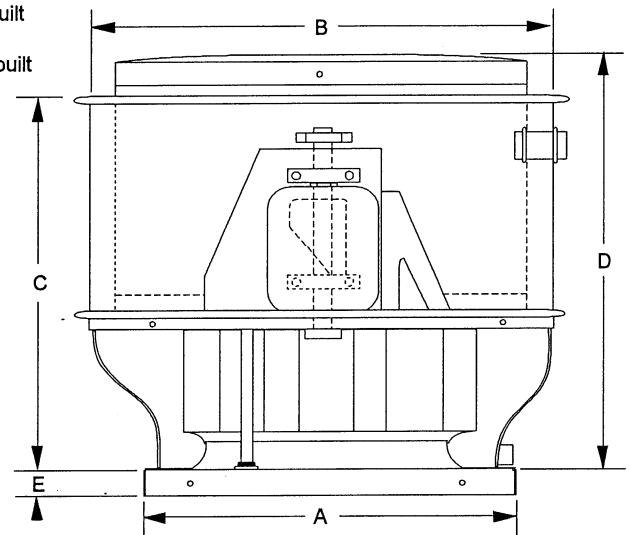


(Must be specified)



UL 705  
 UL 762 (Grease)  
 UL 705 CANADA  
 UL 762 CANADA

- A. Inside dimension of square curb cap.
- B. Outside diameter of unit.
- C. Height of exhaust opening above curb cap.
- D. Height of unit above top of curb.
- E. Depth of curb mounting flange.
- F. Recommended roof opening.  
(Inside dimension of factory built prefab curb.)
- G. Outside dimension of factory built prefab curb.



| SIZE     | METAL GAUGES |             |      |        |      |                 |
|----------|--------------|-------------|------|--------|------|-----------------|
|          | WIND BAND    | MOTOR COVER | L    | BASE   |      | CURB CAP FLANGE |
|          |              |             |      | STD/UL | RHUL |                 |
| 8/10     | .050         | .050        | .063 | .063   | 16GA | .050            |
| 12/15/16 | .050         | .050        | .063 | .063   | 16GA | .050            |
| 18/20    | .050         | .050        | .063 | .063   | 16GA | .063            |
| 24       | .050         | .050        | .080 | .080   | 16GA | .080            |
| 30       | .050         | .050        | .100 | .090   | 16GA | .080            |
| 36       | .050         | .050        | .100 | .090   | 16GA | .090            |
| 42       | .050         | .050        | .090 | .090   | NA   | .100            |
| 48       | .050         | .050        | .090 | .090   | NA   | .100            |

| FAN SPECIFICATIONS |     |           |     |     |        |         |     |       | MOTOR SPECIFICATIONS |       |       |       |      |
|--------------------|-----|-----------|-----|-----|--------|---------|-----|-------|----------------------|-------|-------|-------|------|
| Line               | Qty | Model No. | Tag | CFM | Static | Fan RPM | BHP | Sones | HP                   | Volts | Phase | Hertz | Encl |
| 1                  |     |           |     |     |        |         |     |       |                      |       |       |       |      |
| 2                  |     |           |     |     |        |         |     |       |                      |       |       |       |      |
| 3                  |     |           |     |     |        |         |     |       |                      |       |       |       |      |
| 4                  |     |           |     |     |        |         |     |       |                      |       |       |       |      |
| 5                  |     |           |     |     |        |         |     |       |                      |       |       |       |      |

| ACCESSORY ITEMS          | 1 | 2 | 3 | 4 | 5 | ACCESSORY ITEMS          | 1 | 2 | 3 | 4 | 5 |
|--------------------------|---|---|---|---|---|--------------------------|---|---|---|---|---|
| <input type="checkbox"/> |   |   |   |   |   | <input type="checkbox"/> |   |   |   |   |   |
| <input type="checkbox"/> |   |   |   |   |   | <input type="checkbox"/> |   |   |   |   |   |
| <input type="checkbox"/> |   |   |   |   |   | <input type="checkbox"/> |   |   |   |   |   |
| <input type="checkbox"/> |   |   |   |   |   | <input type="checkbox"/> |   |   |   |   |   |
| <input type="checkbox"/> |   |   |   |   |   | <input type="checkbox"/> |   |   |   |   |   |

Project: \_\_\_\_\_ Submitted: \_\_\_\_\_  
 Customer: \_\_\_\_\_ Approved: \_\_\_\_\_  
 Location: \_\_\_\_\_



UL 705  
UL 762 (Grease)  
UL 705 CANADA  
UL 762 CANADA



6393 Powers Avenue/Jacksonville, Florida 32217-2298  
Telephone: (904) 731-4721 / Fax: (904) 737-8322  
www.jencofan.com

## MODEL TXB-RHUL UL-762 LISTED RESTAURANT & GREASE REMOVAL CENTRIFUGAL UPBLAST ROOF EXHAUSTER

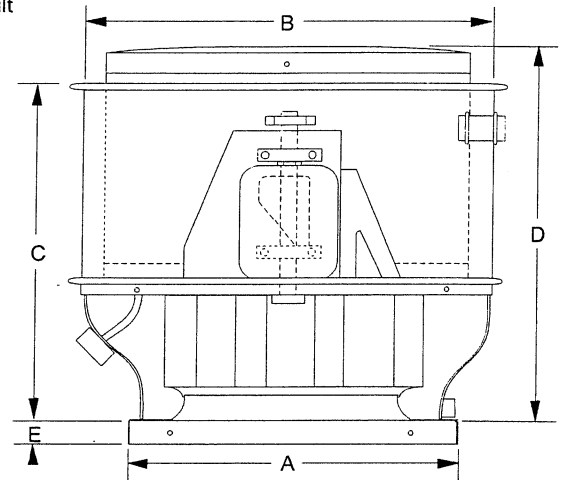
### FAN FEATURES

| SIZE     | DIMENSIONS |        |        |        |       |        |        | AVG WT |
|----------|------------|--------|--------|--------|-------|--------|--------|--------|
|          | A          | B      | C      | D      | E     | F      | G      |        |
| 8        | 16 1/2     | 24     | 24     | 27     | 1 3/4 | 11 3/4 | 14 3/4 | 69     |
| 10       | 16 1/2     | 27     | 26     | 29     | 1 3/4 | 11 3/4 | 14 3/4 | 69     |
| 12/15/16 | 24         | 31 1/2 | 26     | 28 3/4 | 2 1/2 | 19 1/4 | 22 1/4 | 93     |
| 18/20    | 29 1/2     | 37 3/4 | 28 1/2 | 31 3/4 | 2 1/2 | 24 3/4 | 27 3/4 | 120    |
| 24       | 35 1/2     | 47 1/4 | 31 1/2 | 41     | 2 1/2 | 30 3/4 | 33 3/4 | 245    |
| 30       | 42 1/2     | 56 3/4 | 42 1/2 | 44     | 2 1/2 | 37 3/4 | 40 3/4 | 365    |
| 36       | 42 1/2     | 66     | 47 1/2 | 46     | 2 1/2 | 37 3/4 | 40 3/4 | 365    |
| 42       | 55         | 72 1/2 | 49 1/4 | 51 1/2 | 2 1/2 | 50 1/4 | 53 1/4 | 385    |
| 48       | 55         | 78 3/4 | 53     | 55     | 2 1/2 | 50 1/4 | 53 1/4 | 490    |

- AMCA Air and Sound Licensed
- UL/UL-C 705 listed (Optional)
- UL 762 listed - 1 Year Warranty
- Rainproof Electrical Box with Wiring Chase
- Heavy Gauge Aluminum Construction
- Non-Overloading Aluminum Backward Inclined wheel
- Drives Sized for a Minimum of 150% of Motor Horsepower
- 1 Year Fan and Motor Warranty - UL 762
- Heavy Duty 200,000 Hour Rated Pillow Block Bearings
- Integral Deep Spun Inlet

- A. Inside dimension of square curb cap.  
B. Outside diameter of unit.  
C. Height of exhaust opening above curb cap.  
D. Height of unit above top of curb.  
E. Depth of curb mounting flange.  
F. Recommended roof opening.  
(Inside dimension of factory built prefab curb.)  
G. Outside dimension of factory built prefab curb.

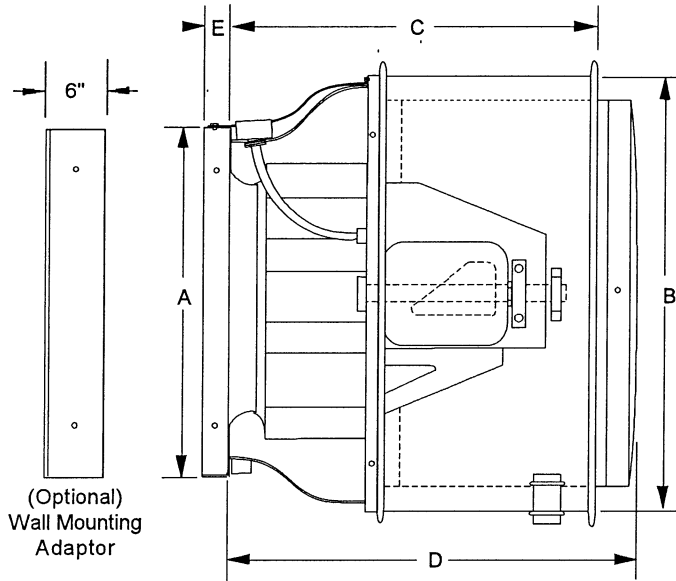
| SIZE     | METAL GAUGES |             |      |        |      |                 |
|----------|--------------|-------------|------|--------|------|-----------------|
|          | WIND BAND    | MOTOR COVER | L    | BASE   |      | CURB CAP FLANGE |
|          |              |             |      | STD/UL | RHUL |                 |
| 8/10     | .050         | .050        | .063 | .063   | 16GA | .050            |
| 12/15/16 | .050         | .050        | .063 | .063   | 16GA | .050            |
| 18/20    | .050         | .050        | .063 | .080   | 16GA | .063            |
| 24       | .050         | .050        | .080 | .080   | 16GA | .080            |
| 30       | .050         | .050        | .100 | .090   | 16GA | .080            |
| 36       | .050         | .050        | .100 | .090   | 16GA | .090            |
| 42       | .050         | .050        | .090 | .100   | NA   | .100            |
| 48       | .050         | .050        | .090 | .100   | NA   | .100            |



| FAN SPECIFICATIONS |     |           |     |     |        |         |     |       |    | MOTOR SPECIFICATIONS |       |       |      |  |
|--------------------|-----|-----------|-----|-----|--------|---------|-----|-------|----|----------------------|-------|-------|------|--|
| Line               | Qty | Model No. | Tag | CFM | Static | Fan RPM | BHP | Sones | HP | Volts                | Phase | Hertz | Encl |  |
| 1                  |     |           |     |     |        |         |     |       |    |                      |       |       |      |  |
| 2                  |     |           |     |     |        |         |     |       |    |                      |       |       |      |  |
| 3                  |     |           |     |     |        |         |     |       |    |                      |       |       |      |  |
| 4                  |     |           |     |     |        |         |     |       |    |                      |       |       |      |  |
| 5                  |     |           |     |     |        |         |     |       |    |                      |       |       |      |  |

| ACCESSORY ITEMS          |   |   |   |   | ACCESSORY ITEMS |                          |   |   |   |   |   |
|--------------------------|---|---|---|---|-----------------|--------------------------|---|---|---|---|---|
|                          | 1 | 2 | 3 | 4 | 5               |                          | 1 | 2 | 3 | 4 | 5 |
| <input type="checkbox"/> |   |   |   |   |                 | <input type="checkbox"/> |   |   |   |   |   |
| <input type="checkbox"/> |   |   |   |   |                 | <input type="checkbox"/> |   |   |   |   |   |
| <input type="checkbox"/> |   |   |   |   |                 | <input type="checkbox"/> |   |   |   |   |   |
| <input type="checkbox"/> |   |   |   |   |                 | <input type="checkbox"/> |   |   |   |   |   |
| <input type="checkbox"/> |   |   |   |   |                 | <input type="checkbox"/> |   |   |   |   |   |

## MODEL TXBW - CENTRIFUGAL WALL MOUNT EXHAUSTER



(Must be specified)  
 UL 705  
 UL 762 (Grease)  
 UL 705 CANADA  
 UL 762 CANADA



| SIZE     | DIMENSIONS |        |        |        |       |        | AVG WT | METAL GAUGES |             |        |        |       |                 |
|----------|------------|--------|--------|--------|-------|--------|--------|--------------|-------------|--------|--------|-------|-----------------|
|          | A          | B      | C      | D      | E     | F      |        | WIND BAND    | MOTOR COVER | SHROUD | BASE   |       | FAN BASE FLANGE |
|          |            |        |        |        |       |        |        |              |             |        | STD/UL | RHUL  |                 |
| 8/10     | 16 1/2     | 27 1/2 | 26     | 26     | 2     | 16     | 69     | .050         | .050        | .063   | .063   | 16 GA | .050            |
| 12/15/16 | 24         | 31 1/2 | 26     | 26     | 2 1/2 | 23 1/2 | 93     | .050         | .050        | .063   | .063   | 16 GA | .050            |
| 18/20    | 29 1/2     | 37 3/4 | 28     | 28     | 2 1/2 | 29     | 120    | .050         | .050        | .063   | .063   | 16 GA | .063            |
| 24       | 35 1/2     | 47 1/4 | 33 1/2 | 37 1/2 | 2 1/2 | 35     | 245    | .050         | .050        | .080   | .080   | 16 GA | .080            |

- A. Inside dimension of fan base.      D. Length of fan with motor cover.      **NOTE:** Unit comes with disconnect and birdscreen.  
 B. Outside diameter of windband.      E. Depth of mounting flange.      UL 762 grease unit does not have birdscreen.  
 C. Length of shroud and windband.      F. Recommended wall opening.

| FAN SPECIFICATIONS |     |           |     |     |        |         |     |       | MOTOR SPECIFICATIONS |       |       |       |      |
|--------------------|-----|-----------|-----|-----|--------|---------|-----|-------|----------------------|-------|-------|-------|------|
| Line               | Qty | Model No. | Tag | CFM | Static | Fan RPM | BHP | Sones | HP                   | Volts | Phase | Hertz | Encl |
| 1                  |     |           |     |     |        |         |     |       |                      |       |       |       |      |
| 2                  |     |           |     |     |        |         |     |       |                      |       |       |       |      |
| 3                  |     |           |     |     |        |         |     |       |                      |       |       |       |      |
| 4                  |     |           |     |     |        |         |     |       |                      |       |       |       |      |
| 5                  |     |           |     |     |        |         |     |       |                      |       |       |       |      |

| ACCESSORY ITEMS          |  |  |  |  | 1 | 2 | 3 | 4 | 5 | ACCESSORY ITEMS          |  |  |  |  | 1 | 2 | 3 | 4 | 5 |
|--------------------------|--|--|--|--|---|---|---|---|---|--------------------------|--|--|--|--|---|---|---|---|---|
| <input type="checkbox"/> |  |  |  |  |   |   |   |   |   | <input type="checkbox"/> |  |  |  |  |   |   |   |   |   |
| <input type="checkbox"/> |  |  |  |  |   |   |   |   |   | <input type="checkbox"/> |  |  |  |  |   |   |   |   |   |
| <input type="checkbox"/> |  |  |  |  |   |   |   |   |   | <input type="checkbox"/> |  |  |  |  |   |   |   |   |   |
| <input type="checkbox"/> |  |  |  |  |   |   |   |   |   | <input type="checkbox"/> |  |  |  |  |   |   |   |   |   |
| <input type="checkbox"/> |  |  |  |  |   |   |   |   |   | <input type="checkbox"/> |  |  |  |  |   |   |   |   |   |

Project: \_\_\_\_\_ Submitted: \_\_\_\_\_  
 Customer: \_\_\_\_\_ Approved: \_\_\_\_\_  
 Location: \_\_\_\_\_