



**POWER-FIN®
BOILER
Submittal Sheet
PBX-Sub-06**

POWER-FIN® GAS BOILER 502, 752, 1002, 1302, 1501, 1701 & 2001 MODELS

JOB NAME _____

LOCATION _____

ARCH./ENGR. _____

MECH. CONTRACTOR _____

MODEL NO. _____

TYPE GAS _____

Btu/hr INPUT _____ **Btu/hr OUTPUT** _____

NOTES

Standard Features

- Up to 87% Thermal Efficiency (M#)
- Up to 84% Thermal Efficiency (B#/F#)
- 160 psi ASME Copper-Finned Tube Heat Exchanger
- Gasketless Heat Exchanger Design
- SMART SYSTEM Control, with:
 - 2-Line 16-Character LCD Display
 - Password Security
 - Built-in Sequencing for 2-8 Boilers
 - 0-10Vdc BMS Input
 - Product Service Indicator
 - Time Clock
 - PC Connection Port
 - Boiler Pump Control
 - Pump Delay w/ Freeze Protection
 - Pump Exercise
- Selectable Supply/Return Temperature Controls
- Slide out Control Panel
- Low-NOx Operation
- Low Gas Pressure Operation
- Zero Clearance to Combustible Materials
- Temperature and Pressure Gauge
- ASME Temperature & Pressure Relief Valve
- Downstream Test Cock
- Line Voltage Terminal Strip
- Low Voltage Terminal Strip
- Contacts on Any Failure
- Alarm Contacts
- Runtime Contacts
- Contacts for Air Louvers
- Adjustable High Limit with Manual Reset
- Flow Switch
- 120V Power Supply
- On/Off Switch
- Combustion Air Filtration
- 10-Year Limited Warranty on Heat Exchanger
- 1-Year Limited Warranty on Parts
- Category I, II & IV Venting

Optional Equipment

Place an X in the box by all options that apply

- Alarm Bell
- Cupro-Nickel Heat Exchanger
- Low Gas Pressure Switch
- High Gas Pressure Switch
- Low Water Cutoff with Manual Reset
- SMART SYSTEM PC Software
- Low Temperature Valve
- Horizontal Air Intake Cap*
- Horizontal Vent Cap*
- Category IV to II Vent Conversion Kit*
- *see venting submittal

Firing Control Systems

(M) indicates 5:1 turndown, Category IV, 502-2001 Models

- M9 Hot Surface Ignition with Electronic Supervision (Standard)
- M13 GE GAP/FM/IRI
- M7 California Code

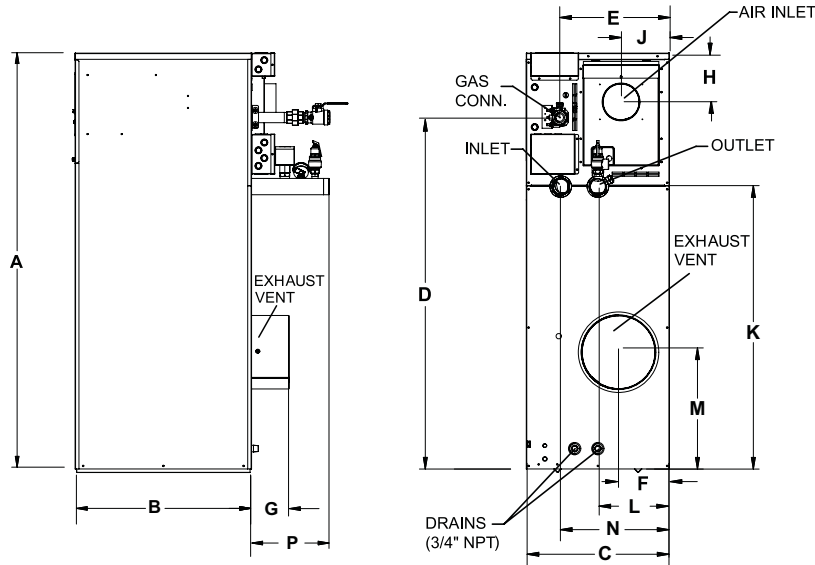
(B) indicates 2:1 turndown, Category I, 1501-2001 Models

- B9 Hot Surface Ignition with Electronic Supervision (Standard)
- B13 GE GAP/FM/IRI
- B7 California Code

(F) indicates 100% On/Off, Category I, 502-1302 Models

- F9 Hot Surface Ignition with Electronic Supervision (Standard)
- F13 GE GAP/FM/IRI
- F7 California Code

Power-Fin Boiler Dimensions & Specifications



Model Number	Btu/Hr Input	Output B9/F9	Rate M9	A	B	C	D	E B9/F9	E M9	F	G	H	J
PBN0502	500,000	425,000	425,000	44-1/2"	28-1/2"	23-1/4"	34"	17-3/4"	19-1/2"	6-1/2"	6"	8"	7-3/4"
PBN0752	750,000	637,000	637,000	52"	28-1/2"	23-1/4"	41-1/2"	17-3/4"	19-1/2"	6-3/4"	6"	8"	7-3/4"
PBN1002	1,000,000	850,000	850,000	59-1/4"	28-1/2"	23-1/4"	48-3/4"	17-3/4"	19-1/2"	7-1/4"	6"	8"	7-3/4"
PBN1302	1,300,000	1,105,000	1,105,000	67-3/4"	28-1/2"	23-1/4"	57-1/4"	17-3/4"	19-1/2"	8-1/4"	6"	8"	7-3/4"
PBN1501	1,500,000	1,260,000	1,275,000	65-1/2"	29-3/4"	27-1/4"	58-3/4"	21"	21"	13-1/2"	8"	10"	9-1/2"
PBN1701	1,700,000	1,428,000	1,445,000	70"	29-3/4"	27-1/4"	63-1/4"	21"	21"	13-1/2"	8"	10"	9-1/2"
PBN2001	2,000,000	1,680,000	1,700,000	76-3/4"	29-3/4"	27-1/4"	70"	21"	21"	13-1/2"	8"	10"	9-1/2"

Model Number	K	L	M	N	Vent Sizes			Gas Conn.	Air Inlet	Cat I B9/F9	Cat II M9	Cat IV M9	Shipping Wt. (lbs)
					P B9/F9	P M9	P M9						
PBN0502	23"	11-1/2"	11-1/4"	17-1/2"	15-1/4"	15-1/4"	1"	5"	7"	7"	4"	571	
PBN0752	30-1/2"	11-1/2"	11-1/4"	17-1/2"	15-1/4"	15-1/4"	1-1/4"	5"	9"	9"	5"	620	
PBN1002	37-3/4"	11-1/2"	11-1/4"	17-1/2"	15-1/4"	15-1/4"	1-1/4"	6"	10"	10"	6"	669	
PBN1302	46-1/4"	11-1/2"	19-1/2"	17-1/2"	15-1/4"	15-1/4"	1-1/4"	6"	12"	12"	8"	718	
PBN1501	43-1/2"	5-3/4"	22-1/4"	21-1/2"	24-1/2"	19-1/2"	1-1/2"	6"	12"	8"	6"	1,115	
PBN1701	48"	5-3/4"	25"	21-1/2"	24-1/2"	19-1/2"	1-1/2"	7"	14"	9"	7"	1,150	
PBN2001	54-3/4"	5-3/4"	27-1/2"	21-1/2"	24-1/2"	19-1/2"	1-1/2"	8"	14"	10"	8"	2,045	

Notes: Change 'N' to 'L' for LP Gas Model. No deration on LP models. Temperature rise calculations based on firing rate of 100%. All water connections are 2-1/2"

Venting Options

- Sidewall
- Vertical
- DirectAire Vertical w/ Sidewall Inlet
- DirectAire Horizontal w/ Rooftop Inlet
- Direct Vent Horizontal
- Direct Vent Vertical
- Intelligent Venting Solutions



Lochinvar
High Efficiency Water Heaters, Boilers and Pool Heaters



Lochinvar Corporation • 300 Maddox Simpson Pkwy • Lebanon, TN 37090 • 615-889-8900/Fax: 615-547-1000

www.Lochinvar.com